

VERNE

PANADERO



MEASURES

DIMENSIONS H x W x D	797x639x400 mm
GROSS/NET WEIGHT	101/97 kg
FIREWOOD ENTRANCE	465x260 mm
SMOKE FLUE	Ø 150-153 mm Horizontal

CHARACTERISTICS

CAST IRON GRILL	
PANORAMIC VISION	
STEEL BODY SHEET	4 mm
NOMINAL HEAT OUTPUT	5,8 kW
EFFICIENCY	80,7 %
CO EMISSIONS	0,10 %
HEAT RESISTANT PAINT	800°C
CERAMIC GLASS HEAT RESISTANCE	750°C

EAN 8426964484755
REF. PANADERO 48475

PRODUCT PLUS

ECODESIGN



EXTERNAL AIR INTAKE

175
m³

HEATING VOLUME



VERMICULITE LINING



CLEAN GLASS SYSTEM



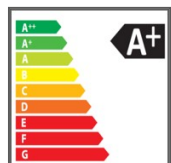
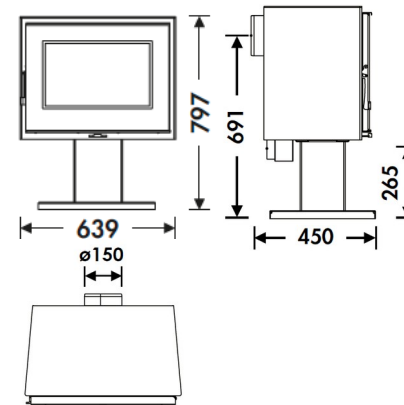
TRIPLE COMBUSTION



WOOD LOGS 50 CM



PRINTED GLASS



VERNE EN