

SYDNEY

PANADERO

PRODUCT PLUS

ECODESIGN



EXTERNAL AIR INTAKE



VERMICULITE LINING



DOUBLE STEEL BODY SHEET 4 + 2 MM



WOOD LOG STORAGE



NATURAL STONE



CLEAN GLASS SYSTEM



TRIPLE COMBUSTION



WOOD LOGS 50 CM



HEATING VOLUME



DOUBLE LOCK



A+



**TÜVRheinland®
CERT
ISO 9001**



flamme
VERTE

Le label
du chauffage
au bois

7★

MEASURES

DIMENSIONS H x W x D **1090x486x486 mm**

GROSS/NET WEIGHT **141/133 kg**

FIREWOOD ENTRANCE **380x300 mm**

SMOKE FLUE **Ø 150-153 mm Top**

DIAGONAL GLASS LENGTH **560 mm**

CHARACTERISTICS

CAST IRON GRILL

NOMINAL HEAT OUTPUT **7,4 KW**

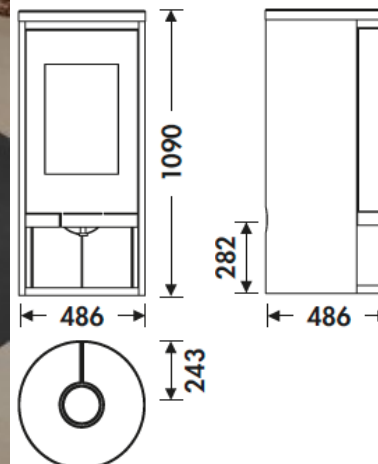
EFFICIENCY **80,7 %**

CO EMISSIONS **0,10 %**

HEAT RESISTANT PAINT **800°C**

CERAMIC GLASS HEAT RESISTANCE **750°C**

EAN 8426964182507
REF. PANADERO 18250



SYDNEY EN