

MAJA-S

PANADERO

MEASURES

DIMENSIONS H x W x D	854x796x470 mm
GROSS/NET WEIGHT	157/142 kg
FIREWOOD ENTRANCE	620x286 mm
SMOKE FLUE	Ø 150-153 mm Top

CHARACTERISTICS

CAST IRON GRILL	
PANORAMIC VISION	
STEEL BODY SHEET	5 mm
NOMINAL HEAT OUTPUT	7 KW
EFFICIENCY	80,7%
CO EMISSIONS	0,10%
HEAT RESISTANT PAINT	800°C
CERAMIC GLASS HEAT RESISTANCE	750°C

EAN 8426964184006
REF. PANADERO 18400

PRODUCT PLUS

ECODESIGN



EXTERNAL AIR INTAKE



VERMICULITE LINING



PRINTED GLASS



WOOD LOGS 60 CM



210
m³

HEATING VOLUME



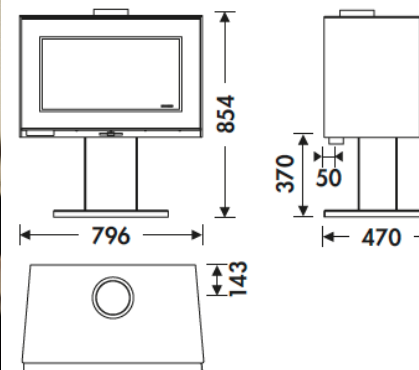
TRIPLE COMBUSTION



CLEAN GLASS SYSTEM



DOUBLE LOCK



A+



MAJA-S EN



flamme
VERTE

Le label
du chauffage
au bois

7 ★