

MAJA

PANADERO

MEASURES

DIMENSIONS H x W x D	854x796x470 mm
GROSS/NET WEIGHT	157/142 kg
FIREWOOD ENTRANCE	620x286 mm
SMOKE FLUE	Ø 150-153 mm Top

CHARACTERISTICS

CAST IRON GRILL	
PANORAMIC VISION	
STEEL BODY SHEET	5 mm
NOMINAL HEAT OUTPUT	7 KW
EFFICIENCY	80,7 %
CO EMISSIONS	0,10 %
HEAT RESISTANT PAINT	800°C
CERAMIC GLASS HEAT RESISTANCE	750°C

EAN 8426964184051
REF. PANADERO 18405

PRODUCT PLUS

ECODESIGN



EXTERNAL AIR INTAKE



VERMICULITE LINING



WOOD LOGS 60 CM



HEATING VOLUME



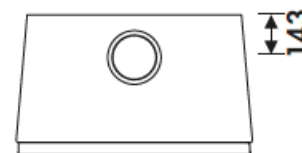
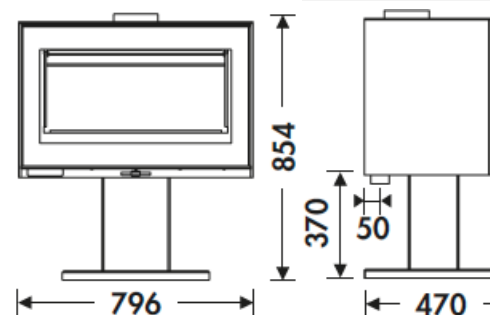
TRIPLE COMBUSTION



CLEAN GLASS SYSTEM



DOUBLE LOCK



MAJA EN



flamme
VERTE

Le label
du chauffage
au bois

7 ★