

HARMONIE 3V PANADERO



MEASURES

DIMENSIONS H x W x D	889x796x482 mm
GROSS/NET WEIGHT	189/174 kg
FIREWOOD ENTRANCE	620x286 mm
SMOKE FLUE	Ø 150-153 mm Top

CHARACTERISTICS

CAST IRON GRILL	
THREE-SIDED VISION	
NOMINAL HEAT OUTPUT	7,9 KW
EFFICIENCY	80,7 %
CO EMISSIONS	0,12 %
HEAT RESISTANT PAINT	800°C
CERAMIC GLASS HEAT RESISTANCE	750°C

EAN 8426964184105
REF. PANADERO 18410

PLUS PRODUCTO

ECODESIGN



TOMA DE AIRE EXTERIOR



HEATING VOLUME



VERMICULITE LINING



CLEAN GLASS SYSTEM



TRIPLE COMBUSTION



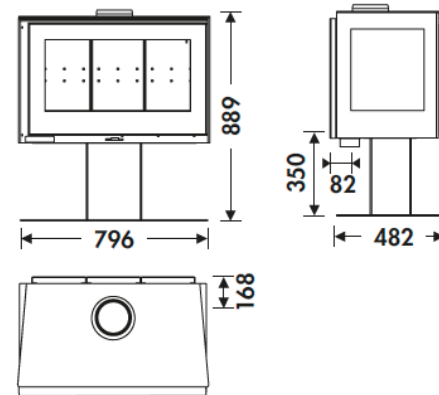
WOOD LOGS 60 CM



DOUBLE LOCK



RADIATION CONVECTION



HARMONIE EN