

FENIX

PANADERO

MEASURES

| | |
|----------------------|------------------|
| DIMENSIONS H x W x D | 854x796x463 mm |
| GROSS/NET WEIGHT | 155/141 kg |
| FIREWOOD ENTRANCE | 620x286 mm |
| SMOKE FLUE | Ø 150-153 mm Top |

CHARACTERISTICS

| | |
|-------------------------------|--------|
| CAST IRON GRILL | |
| PANORAMIC VISION | |
| STEEL BODY SHEET | 5 mm |
| NOMINAL HEAT OUTPUT | 7 KW |
| EFFICIENCY | 80,7 % |
| CO EMISSIONS | 0,10 % |
| HEAT RESISTANT PAINT | 800°C |
| CERAMIC GLASS HEAT RESISTANCE | 750°C |

EAN 8426964184150
REF. PANADERO 18415

PRODUCT PLUS

ECODESIGN



EXTERNAL AIR INTAKE



VERMICULITE LINING



WOOD LOG STORAGE



WOOD LOGS 60 CM



HEATING VOLUME



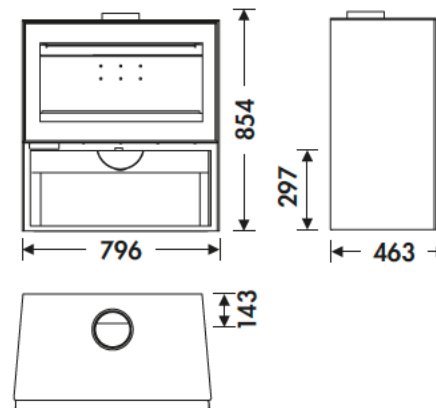
CLEAN GLASS SYSTEM



TRIPLE COMBUSTION



DOUBLE LOCK



FENIX EN



flamme
VERTE

Le label
du chauffage
au bois

7 ★