

HOGAR IZQ EcoDesign

PANADERO

PRODUCT PLUS

ECODESIGN



EXTERNAL AIR INTAKE



3 MM STEEL BODY



HEATING VOLUME



VERMICULITE LINING



PRINTED GLASS



WOOD LOGS 50 CM



CLEAN GLASS SYSTEM



DOUBLE COMBUSTION

MEASURES

DIMENSIONS H x W x D **530x600x500 mm**

GROSS/NET WEIGHT **94/81 kg**

FIREWOOD ENTRANCE **460x280 mm**

SMOKE FLUE **Ø 150-153 mm Top**

CHARACTERISTICS

CAST IRON GRILL

NOMINAL HEAT OUTPUT **5,9 KW**

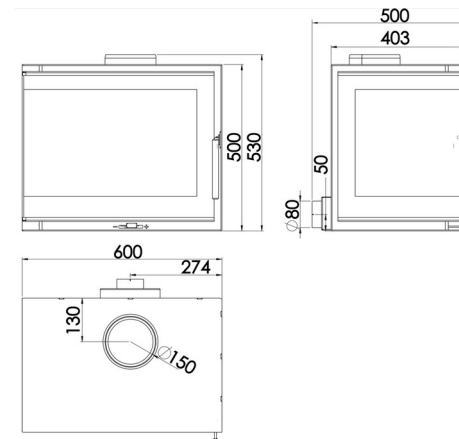
EFFICIENCY **77 %**

CO EMISSIONS **0,10 %**

HEAT RESISTANT PAINT **800°C**

CERAMIC GLASS HEAT RESISTANCE **750°C**

EAN 8426964190823
REF. PROVEEDOR 19082



HOGAR DER/IZQ EN