

# C-720-S EcoDesign

# PANADERO



## MEASURES

DIMENSIONS H x W x D	625x700x566 mm
GROSS/NET WEIGHT	95/85 kg
FIREWOOD ENTRANCE	550x311 mm
SMOKE FLUE	Ø 150-153 mm Top

## CHARACTERISTICS

CAST IRON GRILL	
PANORAMIC VISION	
NOMINAL HEAT OUTPUT	7 KW
EFFICIENCY	81 %
CO EMISSIONS	0,10 %
HEAT RESISTANT PAINT	800°C
CERAMIC GLASS HEAT RESISTANCE	750°C

EAN 8426964190601  
REF. PANADERO 19060

## PRODUCT

### ECODESIGN



EXTERNAL AIR INTAKE



VERMICULITE LINING



PRINTED GLASS



WOOD LOGS 50 CM



HEATING VOLUME



CLEAN GLASS SYSTEM



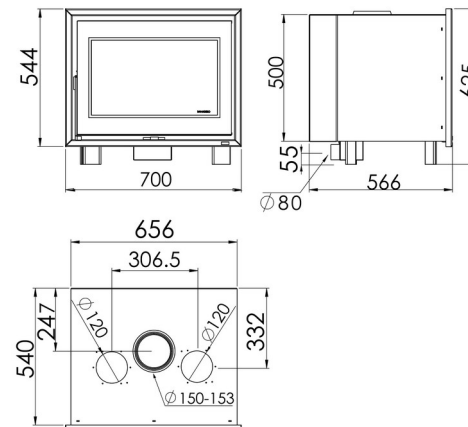
TRIPLE COMBUSTION



AIR DUCTING



TANGENTIAL VENTILATOR



A+



TÜVRheinland®  
**CERT**  
ISO 9001



C-720-S EN