

WENGUE EcoDesign

KUNST

MEASURES

DIMENSIONS H x W x D	551x646x476 mm
GROSS WEIGHT	115 kg
FIREWOOD ENTRANCE	450x277 mm
SMOKE FLUE	Ø 150-153 mm Top

Minimum distance to combustible materials:

Side **30 cm** - Rear wall **10 cm** - Front **100 cm**

CHARACTERISTICS

CAST IRON GRILL	
NOMINAL HEAT OUTPUT	6,7 KW
EFFICIENCY	80,7 %
CO EMISSIONS	0,10 %
HEAT RESISTANT PAINT	800°C
CERAMIC GLASS HEAT RESISTANCE	750°C

EAN 8426964230307
REF. KUNST 23030

ECODESIGN



EXTERNAL AIR INTAKE



DOUBLE STEEL BODY SHEET
6 + 3 MM



VERMICULITE LINING



PRINTED GLASS



WOOD LOGS UP TO
50 CM



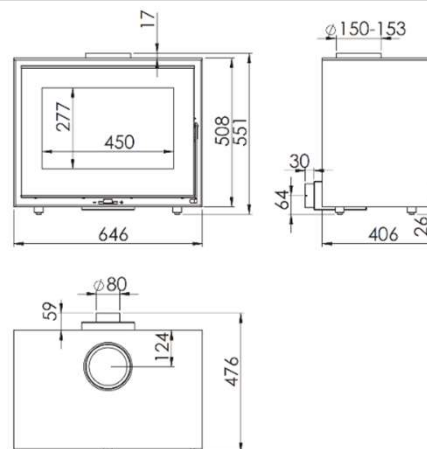
210 m³ HEATING VOLUME



CLEAN GLASS SYSTEM



TRIPLE COMBUSTION



Art. 15a B-VG

BImSchV2



flamme
VERTE

Le label
du chauffage
au bois

7 ★



WENGUE EN