

# QUERCUS EcoDesign

# KUNST



## MEASURES

DIMENSIONS H x W x D	<b>594x835x552 mm</b>
GROSS WEIGHT	<b>177 kg</b>
FIREWOOD ENTRANCE	<b>620x325 mm</b>
SMOKE FLUE	<b>Ø 150-153 mm Top</b>

Minimum distance to combustible materials:  
Side **30 cm** - Rear wall **10 cm** - Front **120 cm**

## CHARACTERISTICS

CAST IRON GRILL	
NOMINAL HEAT OUTPUT	<b>7,2 KW</b>
EFFICIENCY	<b>78,9 %</b>
CO EMISSIONS	<b>0,10 %</b>
HEAT RESISTANT PAINT	<b>800°C</b>
CERAMIC GLASS HEAT RESISTANCE	<b>750°C</b>

EAN 8426964230208  
REF. KUNST 23020

## ECODESIGN



**EXTERNAL AIR INTAKE**



DOUBLE STEEL BODY SHEET  
6 + 3 MM



VERMICULITE LINING



PRINTED GLASS



WOOD LOGS UP TO  
60 CM



**220**  
m<sup>3</sup>

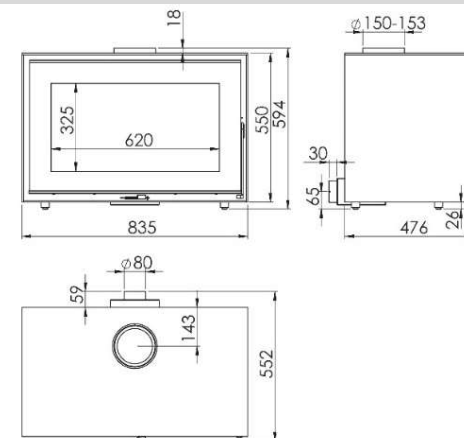
HEATING VOLUME



CLEAN GLASS SYSTEM



TRIPLE COMBUSTION



QUERCUS EN



**CE** **B1mSchV2**

