

EBANO EcoDesign

KUNST

MEASURES

DIMENSIONS H x W x D	550x1000x525 mm
GROSS WEIGHT	197 kg
FIREWOOD ENTRANCE	848x266 mm
SMOKE FLUE	Ø 150-153 mm Top

Minimum distance to combustible materials:
Side **20 cm** - Rear wall **10 cm** - Front **100 cm**

CHARACTERISTICS

CAST IRON GRILL	
PANORAMIC VISION	
NOMINAL HEAT OUTPUT	8,9 KW
EFFICIENCY	80,8 %
CO EMISSIONS	0,10 %
HEAT RESISTANT PAINT	800°C
CERAMIC GLASS HEAT RESISTANCE	750°C

EAN 8426964230161
REF. KUNST 23016

ECODESIGN



EXTERNAL AIR INTAKE



DOUBLE STEEL BODY SHEET
6 + 3 MM



270
m³ HEATING VOLUME



VERMICULITE LINING



PRINTED GLASS



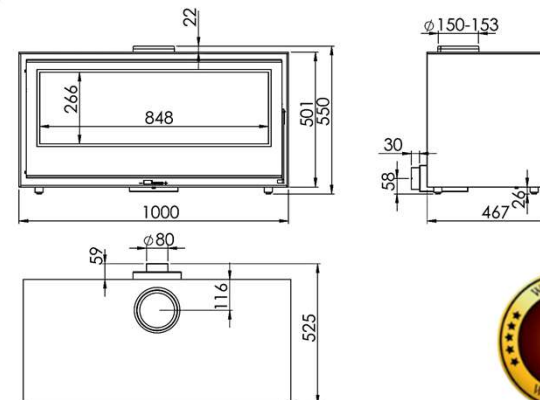
WOOD LOGS UP TO 80 CM



CLEAN GLASS SYSTEM



TRIPLE COMBUSTION



A+



Art. 15a B-VG **BImSchV2**



EBANO EN