



MEASURES

DIMENSIONS HxWxD 625x770x485 mm

GROSS/NET WEIGHT 96/86 kg

FIREWOOD ENTRANCE 600x300 mm

SMOKE FLUE Ø 150-153 mm Top

CHARACTERISTICS

CAST IRON GRILL

PANORAMIC VISION

NOMINAL HEAT OUTPUT 7KW

EFFICIENCY 81%

CO EMISSIONS 0,10%

HEAT RESISTANT PAINT 800°C

CERAMIC GLASS HEAT RESISTANCE 750°C

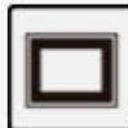
PRODUCT PLUS



ECODESIGN 2022



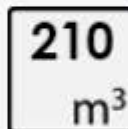
VERMICULITE LINING



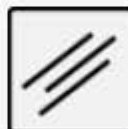
PRINTED GLASS



WOOD LOGS 60 CM



HEATING VOLUME



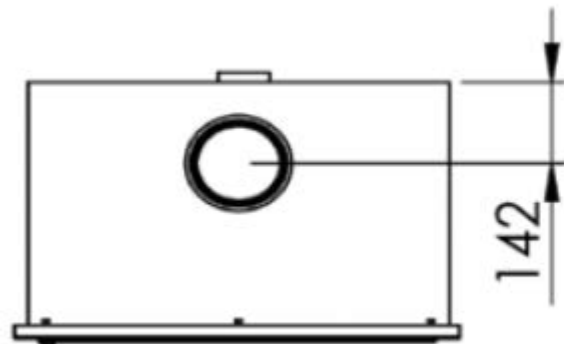
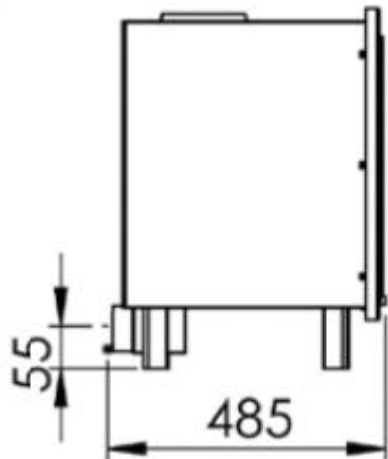
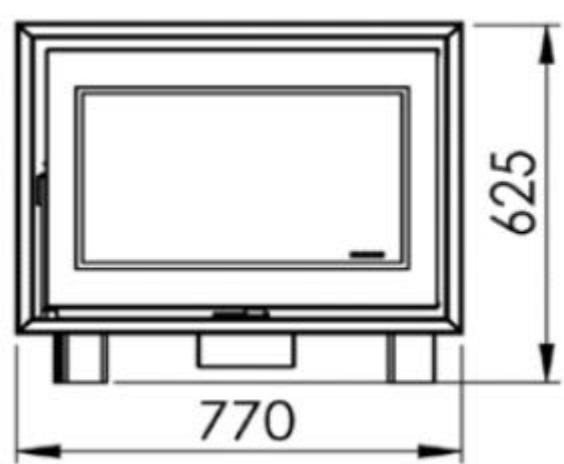
CLEAN GLASS SYSTEM



TRIPLE COMBUSTION



EXTERNAL AIR INTAKE 80 MM



BImSchV2

