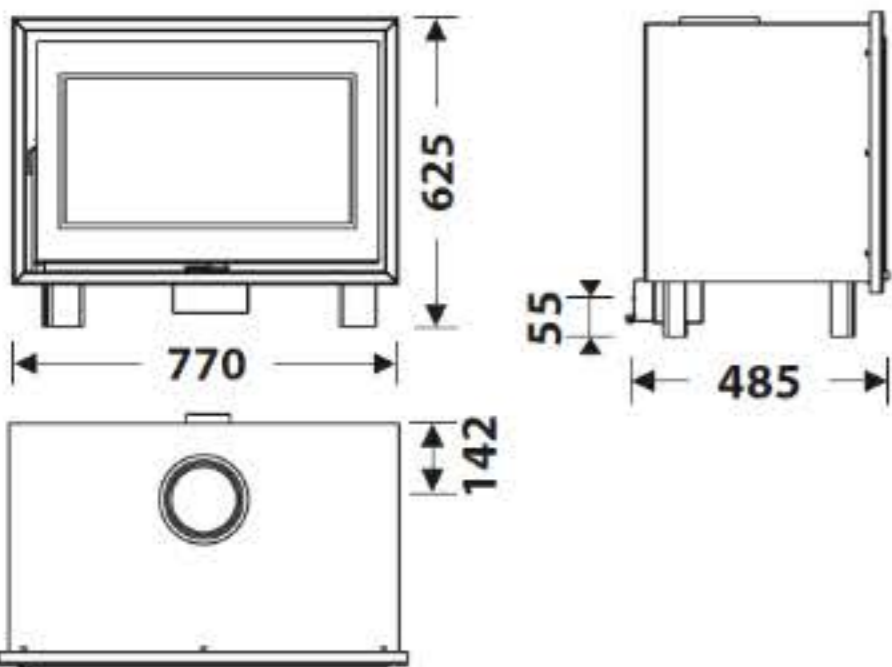


MEASURES

DIMENSIONS H x W x D	625x770x485 mm
GROSS/NET WEIGHT	128/110 kg
FIREWOOD ENTRANCE	600x300 mm
SMOKE FLUE	Ø 150-153 mm Top
EXTERNAL AIR INTAKE	Ø 80 mm

CHARACTERISTICS

CAST IRON GRILL	
PANORAMIC VISION	
STEEL BODY SHEET	5 mm
NOMINAL HEAT OUTPUT	7 KW
EFFICIENCY	81 %
CO EMISSIONS	0,10%
HEAT RESISTANT PAINT	800°C
CERAMIC GLASS HEAT RESISTANCE	750°C



PRODUCT PLUS

ECODESIGN

-  EXTERNAL AIR INTAKE
-  VERMICULITE LINING
-  PRINTED GLASS
-  WOOD LOGS 60 CM
-  250 m³ HEATING VOLUME
-  CLEAN GLASS SYSTEM
-  DOUBLE COMBUSTION



EAN 8426964247503
REF. 24750



BImSchV2



DF-80 EcoDesign

