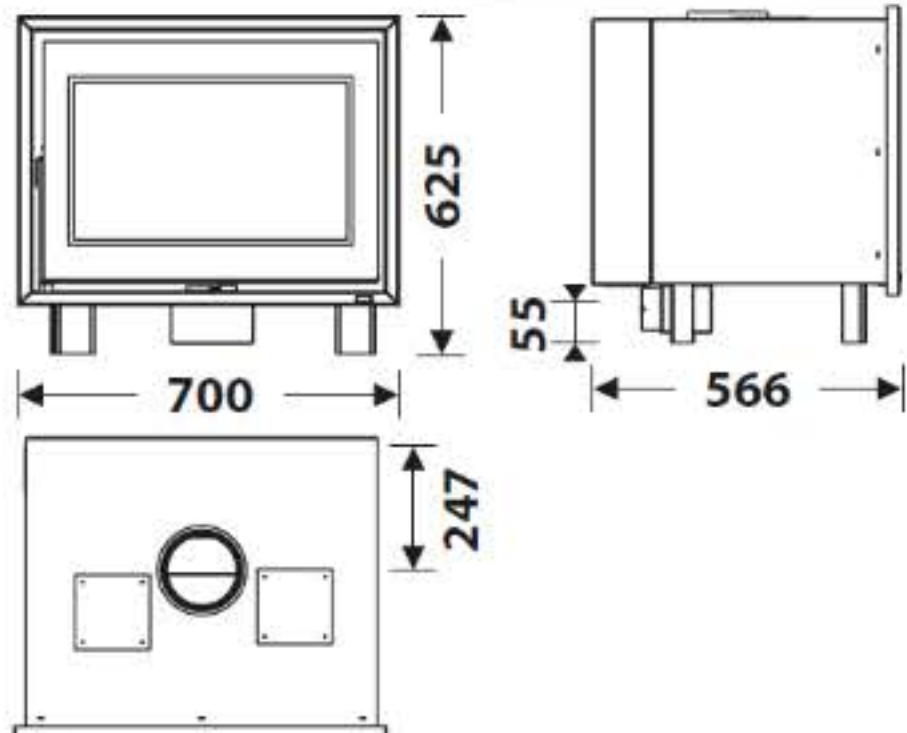


MEASURES	
DIMENSIONS H x W x D	625x700x566 mm
GROSS/NET WEIGHT	131/111 kg
FIREWOOD ENTRANCE	500x311 mm
SMOKE FLUE	Ø 150-153 mm Top
EXTERNAL AIR INTAKE	Ø 80 mm

CHARACTERISTICS	
CAST IRON GRILL	
PANORAMIC VISION	
STEEL BODY SHEET	3 mm
NOMINAL HEAT OUTPUT	7 KW
EFFICIENCY	81 %
CO EMISSIONS	0,10%
HEAT RESISTANT PAINT	800°C
CERAMIC GLASS HEAT RESISTANCE	750°C



## PRODUCT PLUS

### ECODESIGN

-  EXTERNAL AIR INTAKE
-  VERMICULITE LINING
-  PRINTED GLASS
-  WOOD LOGS 50 CM
-  220 m<sup>3</sup> HEATING VOLUME
-  CLEAN GLASS SYSTEM
-  TRIPLE COMBUSTION
-  AIR DUCTING
-  TANGENTIAL VENTILATOR



EAN 8426964248005  
REF. 24800



BlmSchV2



# DC-70 EcoDesign

